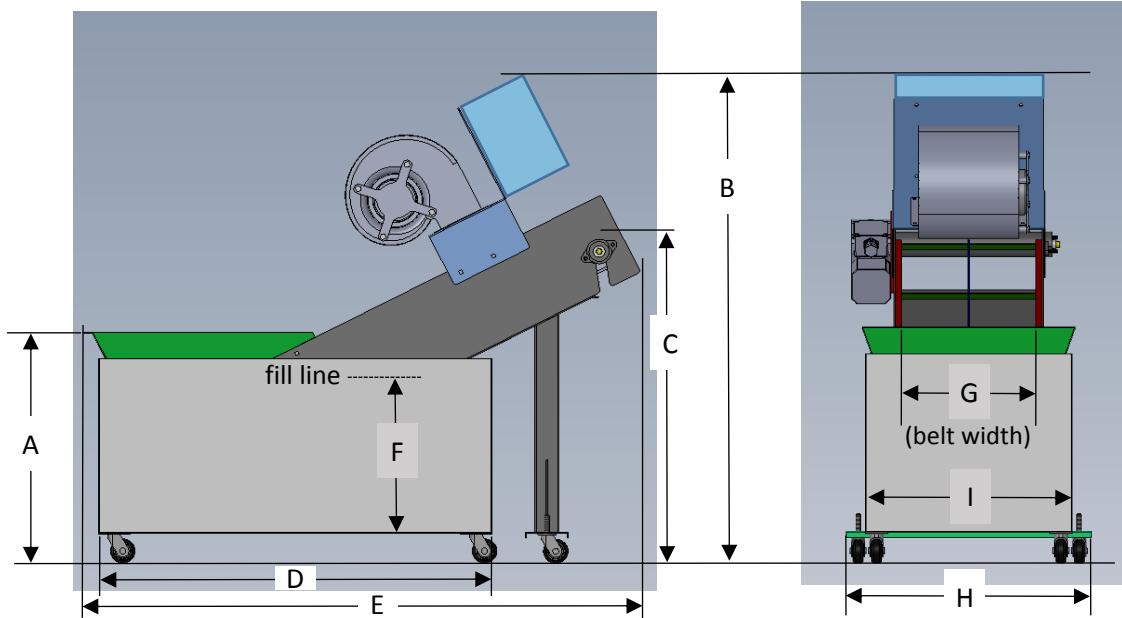
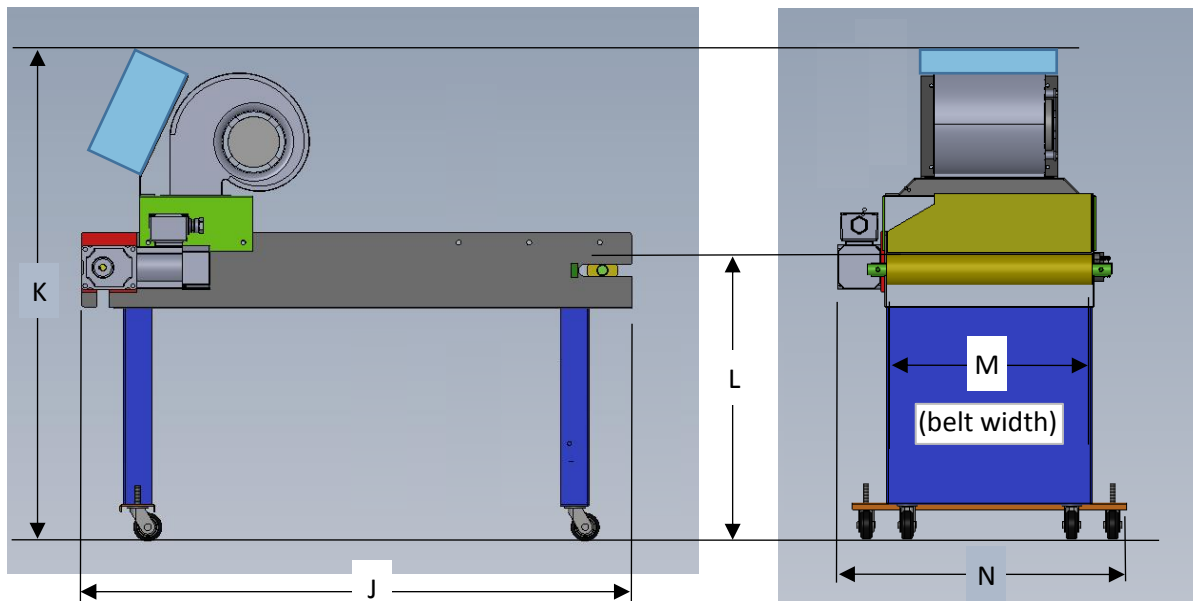


General Dimensions of TRC Paint Systems



	A	B	C	D	E	F	G	H	I	Tank Volume
TRC-150	19.5"	40"	27.5"	32"	45"	12.5"	5.9"	20"	10.9"	18 gallons
TRC-300	19.5"	40"	27.5"	32"	45"	12.5"	11.8"	20"	16.8"	28 gallons
TRC-450	19.5"	40"	27.5"	32"	45"	12.5"	17.7"	26"	22.8"	38 gallons



	J	J-opt	K	L	M	N
TRC-150	39"	51"	36"	21"	12"	18"
TRC-300	39"	51"	36"	21"	12"	18"
TRC-450	51"	---	36"	21"	15"	21.5"